

# 300W LED Parking Lot

LV-PKL-300W-X\*+(Photocell) [ X represents bracket type ]



### Lighting

- Lamp Power: 300W
- Lumen output: 36000lm
- Efficiency:120lm/w
- Color Temperature: 3000K,5000K
- CRI: Ra>70
- IES Classification Standard:Type III Distribution
- IES Classification Optional:Type IV & Type V

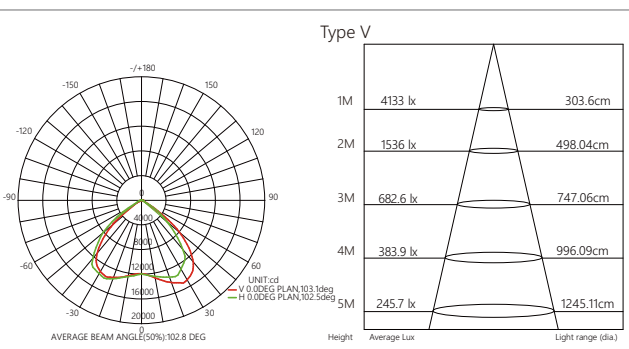
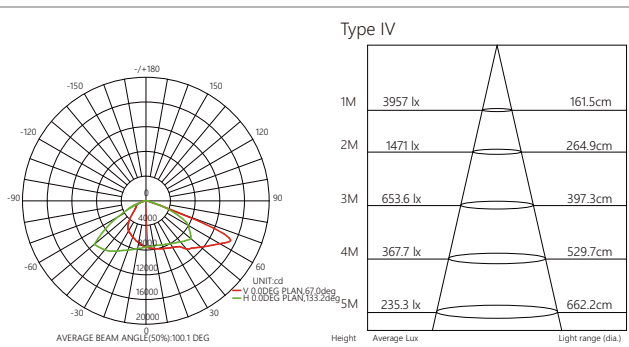
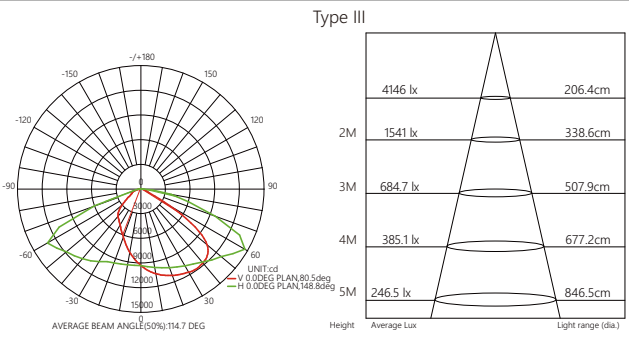
### Electrical

- Voltage Input: 100-277V ac
- Max.Input current: 0.95Amp@100Vac
- Dimmable: Non/1-10V Dimming
- Driver Power Factor: >0.95%
- Driver Efficiency: 96%

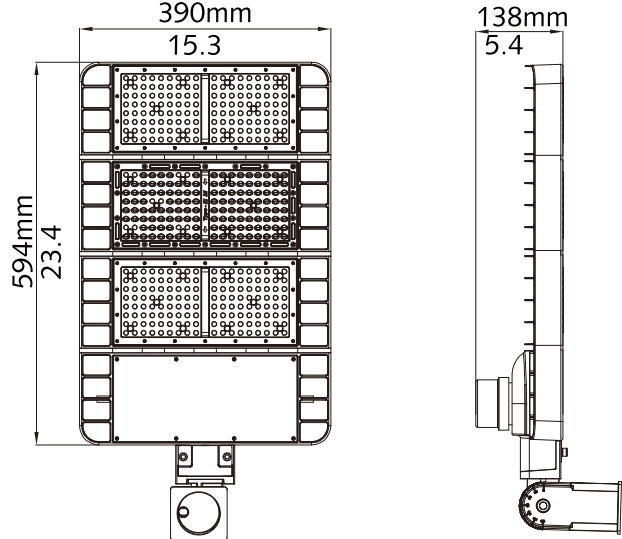
### Others

- Housing Material: Aluminum
- Lens: PC
- IP Rating: Ip66 For Wet Location
- Operating Temp.: -40°C ~ 40°C(-104°F ~ 104°F)
- Certificates: ETL/cETL , DLC
- Warranty: 5 years
- L70 life span: >50000Hrs
- Accessories options:
  - Photocell
  - Shorting cap
  - Mounting adaptors type A/B/C/F

### Lux Chart/Photometrics



### Size



### Photocell option



### Packaging

Dimension: 27.6"L x 17.3"W x 5.9"H  
(700mm x 440mm x 150mm)

1pcs/CTN G.W.:11kg

Container  
40'hq 1300 pcs  
40'gp 1132 pcs  
20'gp 560 pcs

### Mounting Adaptor Options X\*

\*X represents A/B/C/F

