



Lighting

- Lamp Power: 200W
- Lumen output: 23000lm
- Efficiency:115lm/w
- Color Temperature: 3000K,5000K
- CRI: Ra>70
- IES Classification Standard:Type III Distribution
- IES Classification Optional:Type IV & Type V

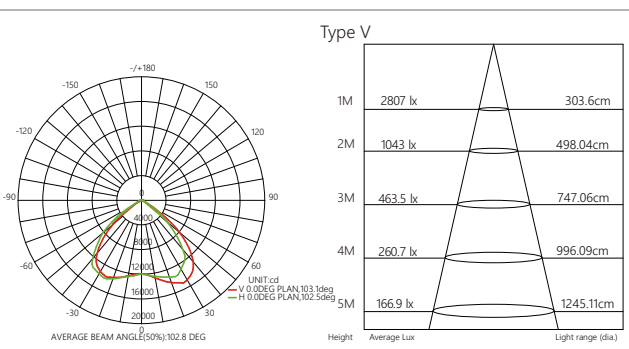
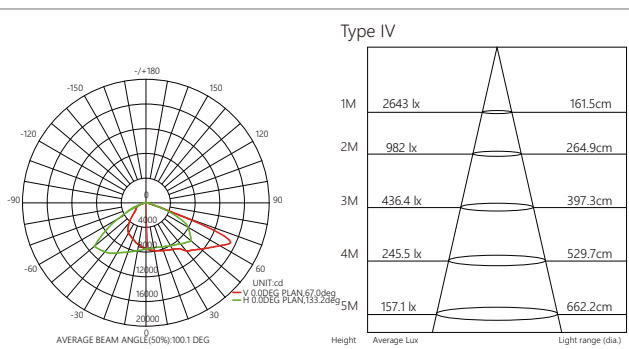
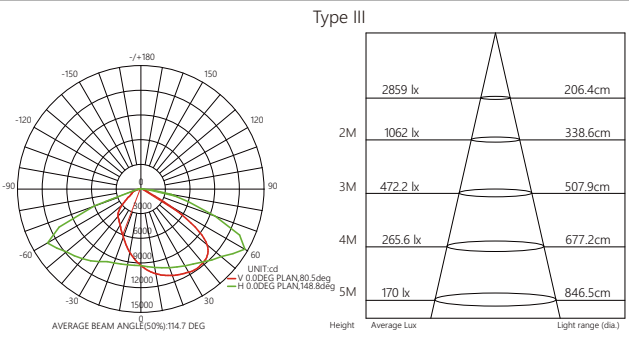
Electrical

- Voltage Input: 100-277V ac
- Max.Input current: 0.95Amp@100Vac
- Dimmable: Non/1-10V Dimming
- Driver Power Factor: >0.95%
- Driver Efficiency: 96%

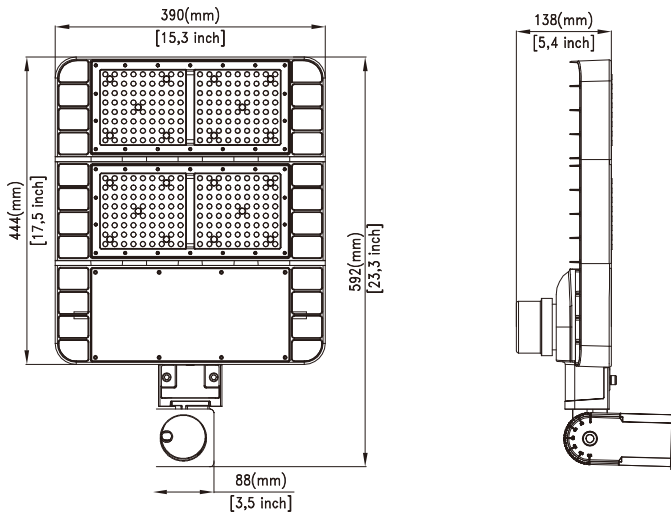
Others

- Housing Material: Aluminum
- Lens: PC
- IP Rating: Ip66 For Wet Location
- Operating Temp.: -40°C ~ 40°C (-104°F ~ 104°F)
- Certificates: ETL/cETL , DLC
- Warranty: 5 years
- L70 life span: >50000Hrs
- Accessories options:
 - Photocell
 - Shorting cap
 - Mounting adaptors type A/B/C/F

Lux Chart/Photometrics



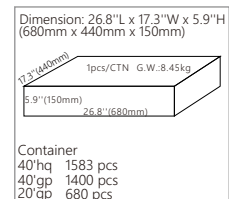
Size



Photocell option



Packaging



Mounting Adaptor Options X*

*X represents A/B/C/F

